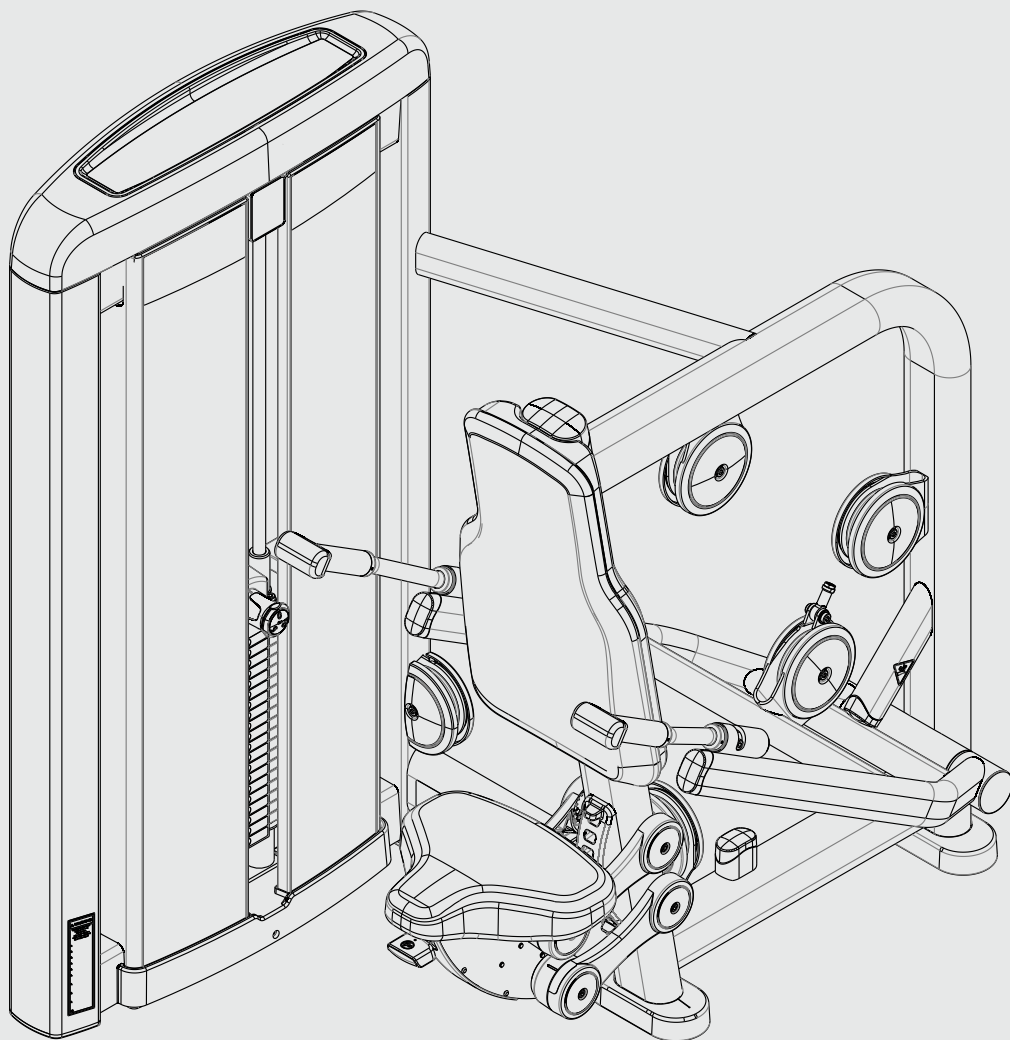


INSIGNIA SERIES  
TRICEPS PRESS  
SS-TP  
PARTS MANUAL



# Insignia Series Triceps Press

## Contents

---

Options and Key .....	3
Powder Coat Painted Frame Weldments .....	4
Component Assembly .....	5
Labels .....	6
Table .....	7
Seat Assembly .....	8
Tower Plastics .....	9
Shroud Wraps .....	10
Weight Stack Assemblies .....	11
T Trim Head Plate and Drop Down Increment Weights .....	12
C and X Trim Stack Components .....	13
C and X Trim Head Plate Assemblies .....	14
C and X Trim Incremental Weights .....	15
Sensor Assemblies .....	16

# Insignia Series Triceps Press

## Options and Key

**FRAME OPTION**

SELECT POWDERCOAT COLOR

- WHITE
- PLATINUM
- BLACK
- MIDNIGHT METALLIC
- NICKEL
- ICE BLUE METALLIC
- RED
- BLUE
- YELLOW
- CANDY APPLE RED
- ELECTRIC BLUE
- CHARCOAL
- MOCHA SAND
- TITANIUM
- DIAMOND WHITE
- CUSTOM

**UPHOLSTERY OPTION**

SINGLE STITCH



DOUBLE STITCH



SELECT UPHOLSTERY COLOR

- BLACK
- ROYAL BLUE
- SLATE
- CRANBERRY
- NORTHWOODS GREEN
- SPACE BLUE
- AMERICAN BEAUTY RED
- SUEDE
- HUNTER GREEN
- REGIMENTAL BLUE
- CONCORD
- TURQUOISE
- CROCUS
- AZURE
- WHEAT
- GRAPHITE
- GROTTO
- JADE
- EMERALD
- CANDLY APPLE RED
- BURGUNDY
- PLUM
- NAVY
- IMPERIAL BLUE
- CHESTNUT
- PAPRIKA
- TERRA COTTA
- DOVE GRAY
- PUTTY
- GUN METAL
- CUSTOM

**LANGUAGE OPTION**

SELECT LANGUAGE

- 01 ENGLISH
- 02 GERMAN
- 03 FRENCH
- 04 SPANISH
- 05 ITALIAN
- 06 DUTCH
- 07 JAPANESE
- 08 PORTUGUESE
- 10 RUSSIAN
- 11 TURKISH
- 12 CHINESE
- 13 ARABIC

**WEIGHT STACK OPTION**

- T - BASE STACK
- C - LIGHT STACK
- X - HEAVY STACK

- POUNDS
- KILOGRAMS

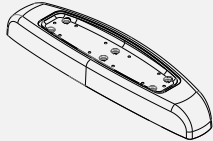


**SHROUD WRAP OPTION**

- FULL SHROUD
- BAMBOO
- SKY
- BRONZE
- STEM
- ROSEWOOD
- STAINLESS STEEL

**TRIM OPTION**

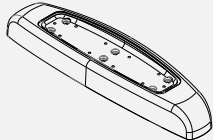

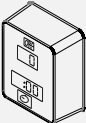
S

PLASTIC TOWER CAP  
STANDARD GRIP  
NO REP COUNTER

L

PAINTED CAST TOWER CAP  
ERGO GRIP  
REP COUNTER

### KEY

LANGUAGE ① ② ③

Items with Black call-outs require the last two digits (XX) to be replaced with language codes listed above. IE: 12345XX should be 1234501 for English.

UPHOLSTERY ① ② ③

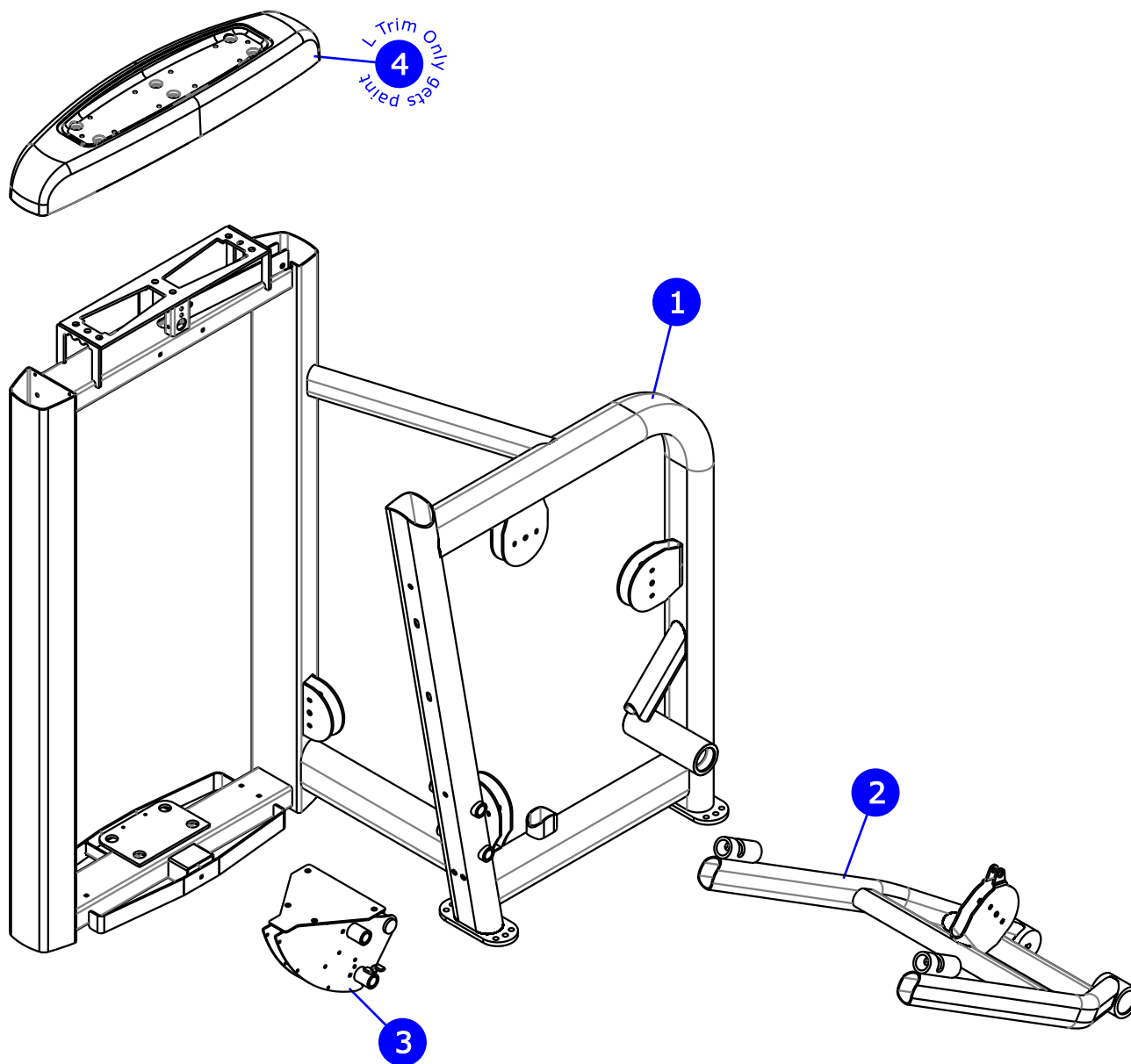
Items with Gray call-outs require the upholstery color within the order notes. IE: Putty.

FRAME COLOR ① ② ③

Items with Blue call-outs require the powder coat frame color to be within the order notes.

# Insignia Series Triceps Press

## Powder Coat Painted Frame Weldments

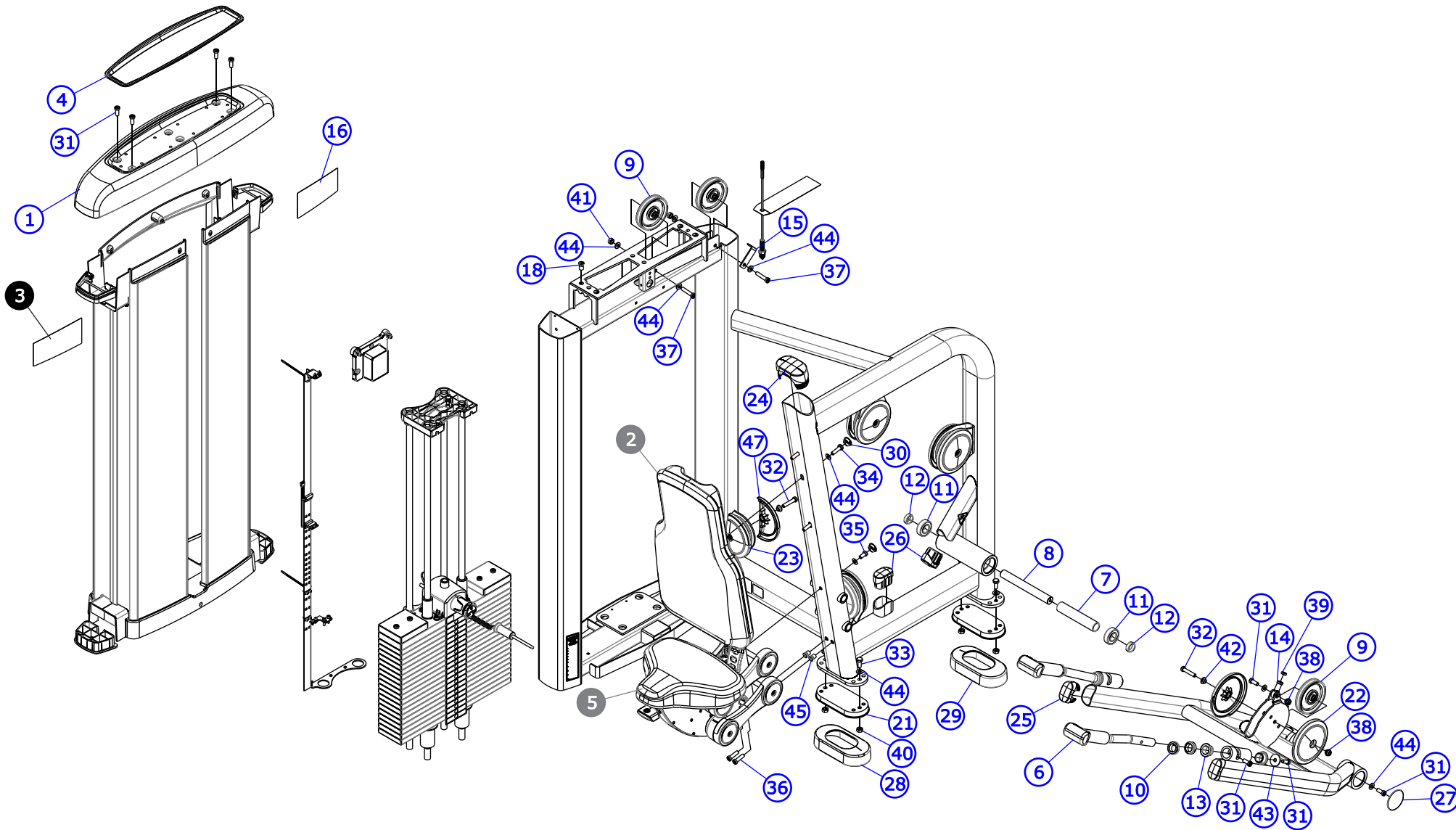


ITEM NO.	QTY.	PART NO.	DESCRIPTION	TRIM	
1	1	POSSIBLE RMA	WLDMT, SS-TP FRAME	S	L
2	1	7344699	WLDMT, FZTP PRESS ARM	S	L
3	1	9401599	WLDMT, SS-TP SEAT SUPPORT	S	L
4	1	9412699	CAP, TOWER -TOP	-	L

**ITEMS ON THIS PAGE ARE POWDER COAT PAINTED. REFER TO PAGE 3 FOR ORDERING INSTRUCTIONS.**

# Insignia Series Triceps Press

## Component Assembly

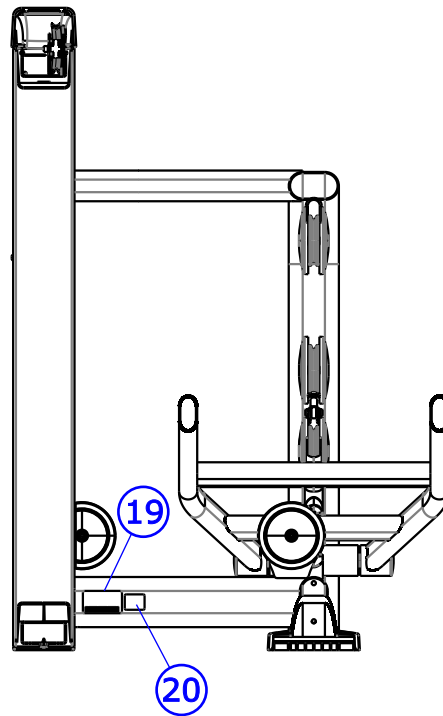
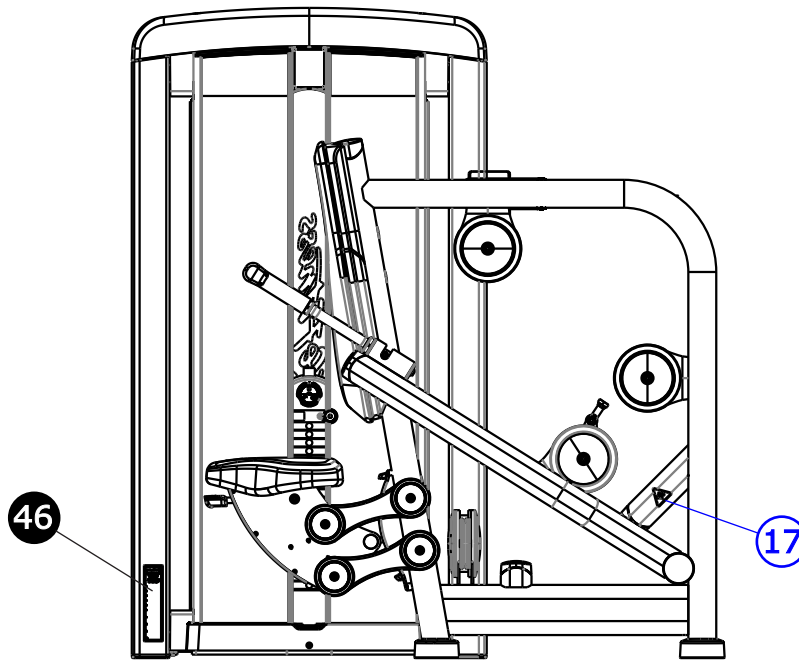


See page 7 for table

# Insignia Series Triceps Press

## Labels

---

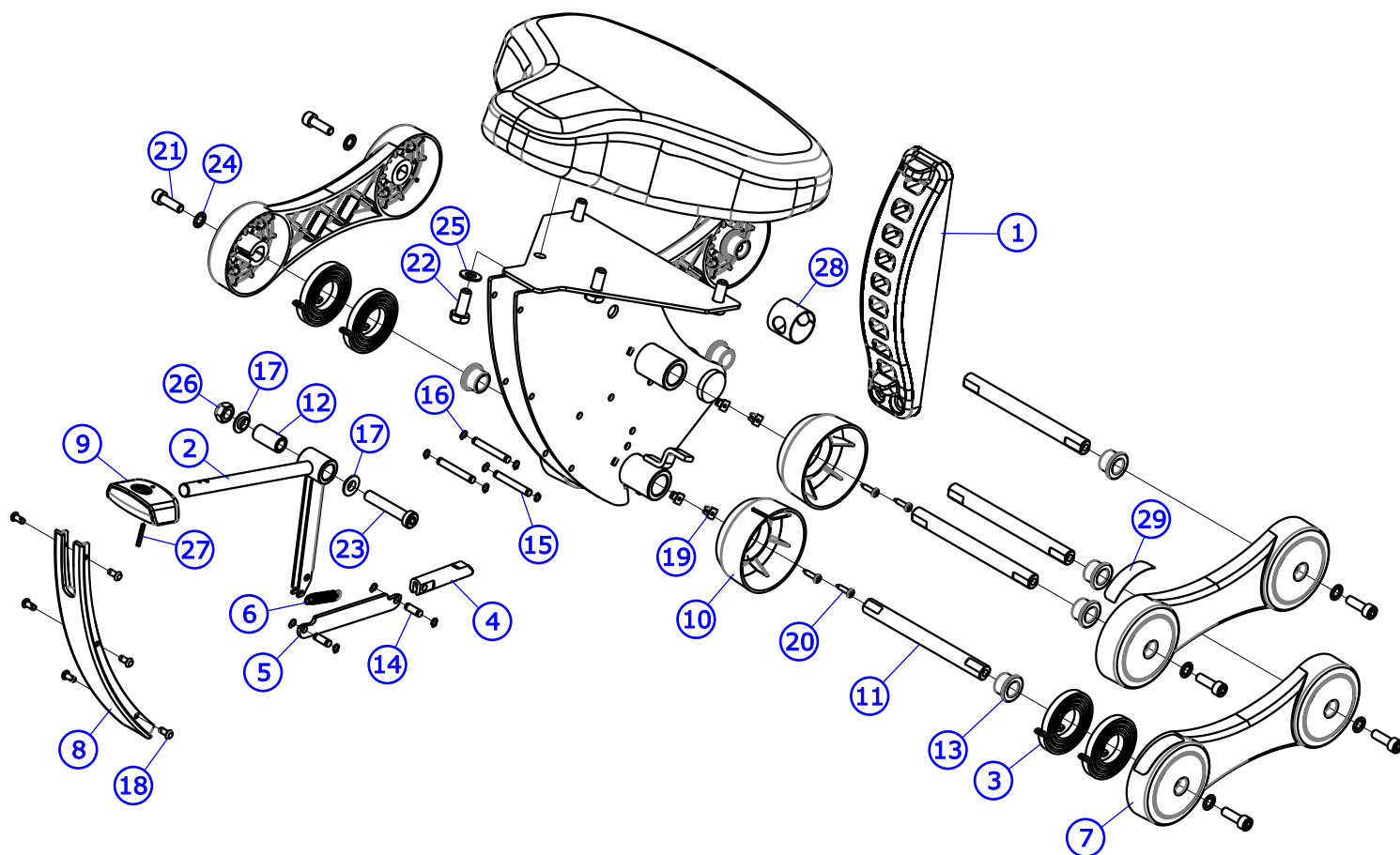


**See page 7 for table**

# Insignia Series Triceps Press Table

ITEM NO.	QTY.	PART NO.	DESCRIPTION	TRIM	
1	1	9436701	CAP, TOWER, TOP, PLASTIC	S	-
2	1	1000018-0001	PAD, LARGE BACK BLK, SNGL STITCH	S	L
		1000018-0099	PAD, LARGE BACK CUS, SNGL STITCH		
		1000018-0101	PAD, LARGE BACK BLK, SNGL STITCH		
		1000018-0199	PAD, LARGE BACK CUS, DBL STITCH		
3	1	9466399	LABEL, SS-TP PLACARD, LH	S	L
4	1	9411201	TRAY, TOWER TOP CAP	S	L
5	1	1000016-0001	PAD, SEAT SADDLE BLK, SNGL STITCH	S	L
		1000016-0099	PAD, SEAT SADDLE CUS, SNGL STITCH		
		1000016-0101	PAD, SEAT SADDLE BLK, DBL STITCH		
		1000016-0199	PAD, SEAT SADDLE CUS, DBL STITCH		
6	2	7412302	ASSY, TRICEPS HANDLE	S	L
7	1	7330005	SPACER, INTERNAL X 6.265	S	L
8	1	7316504	SHAFT, 25MM X 8.250	S	L
9	7	9319901	PULLEY, 3/16 IN CABLE (T2), 4.5 IN OD	S	L
10	4	7662802	RING, GRIP 1.50 OD	S	L
11	2	8235601	BEARING, 6205 BALL	S	L
12	2	7330001	SPACER, INTERNAL X .403	S	L
13	4	8104903	1.00" ID 1.25" OD BRONZ BUSHING	S	L
14	1	8237901	ROD END, METRIC FEMALE	S	L
15	1	6757701	CLIP, CABLE 2-7/8 X 1 X 1	S	L
16	1	9477901	LABEL, SS-TP PLACARD, RH	S	L
17	2	8039501	LABEL, WARNING, TRIANGLE	S	L
18	4	8275401	M10X1.5 BLIND THREADED INSERT (HEX) -HVY	S	L
19	1	-	LABEL, SERIAL NUMBER, BLANK	S	L
20	1	9488901	LABEL, INSIGNIA, FCC	S	L
21	2	9319301	FOOT, 2.50 X 4.49 FLOV	S	L
22	8	8104502	COVER, PULLEY-BOLTED NOTCHED	S	L
23	1	8094102	COVER, PULLEY-BOLTED PARTIAL -CHGR	S	L
24	1	7333902	CAP, LARGE FLOV- END	S	L
25	2	7333802	CAP, SMALL FLOV- END	S	L
26	2	7317902	STOP, BUMPER	S	L
27	2	7308702	CAP, BEARING HOUSING	S	L
28	1	9461301	COVER, FOOT - 10 deg	S	L
29	1	9319401	COVER, FOOT - STRAIGHT	S	L
30	4	8237407	PLUG, 1" HOLE	S	L
31	11	8236202	SCREW, M10 X1.5 25MM	S	L
32	5	8236207	SCREW, M10 X1.5 50MM	S	L
33	4	8251202	SCREW, M10 X1.5 X 25MM UNS HEX CS ST ZN	S	L
34	3	8251204	SCREW, M10 X1.5 X 35MM UNS HEX CS ST ZN	S	L
35	1	8236201	SCREW, M10 X1.5 20MM	S	L
36	2	8236204	SCREW, M10 X1.5 35MM	S	L
37	2	3275507	SCREW, M10 X 1.5 X 50 SHCS, LOW HEAD -NO PATCH	S	L
38	6	7335401	NUT, M10 X 1.5 SOCKET HEAD	S	L
39	1	8236901	NUT, HEX JAM M10 X 1.5 SS	S	L
40	4	8254703	NUT, M10 X 1.5 HEX ZINC	S	L
41	2	8236801	NUT, M10 HEX NYLOCK SS	S	L
42	5	7630101	RETAINER, CM/MJ, PULLEY	S	L
43	2	8236701	WASHER, FENDER 3/8" ID X 1.5" OD SS	S	L
44	15	8236601	WASHER, 3/8 SAE SS	S	L
45	2	8238601	M10X1.5 BLIND THREADED INSERT (HEX)	S	L
46	1	8220099	LABEL, ASTM, SELECT VERT	S	L
47	1	9450002	COVER, PULLEY -BOLTED PARTIAL -CHGR	S	L

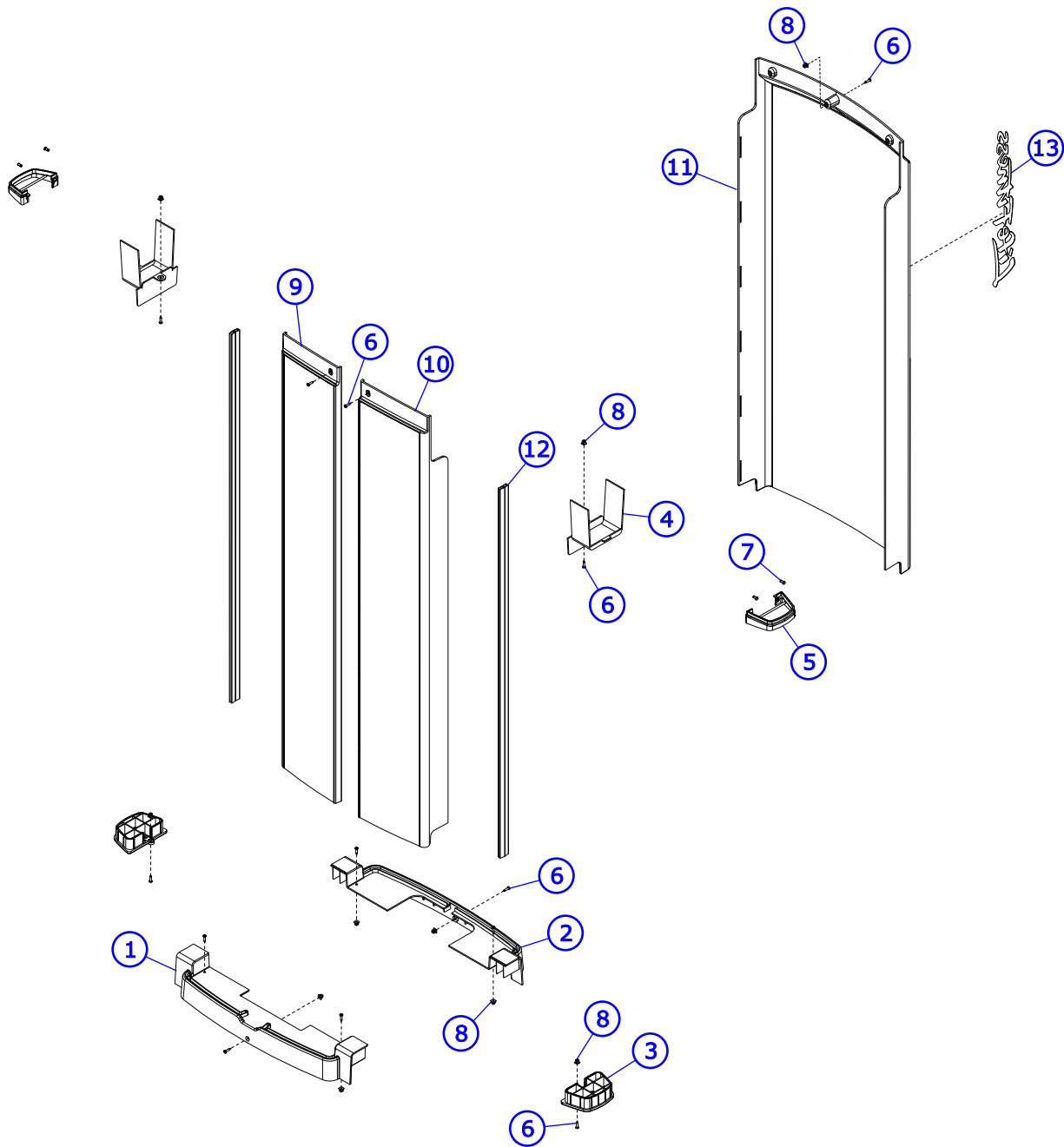
# Insignia Series Triceps Press Seat Assembly



ITEM NO.	QTY.	PART NO.	DESCRIPTION
1	1	000143-0001	ADJUST BRKT, SS TP-FRD SEAT
2	1	9401728	WLDMT, SS-TP SEAT HANDLE CHR
3	4	9365401	SPRING, SPIRAL TORSION
4	1	9401101	PULLPIN, SS-SEAT
5	1	9401001	PLATE, SS-SEAT HANDLE CONNECT
6	1	6239201	SPRING, EXT, .375 X .049 X 2.00
7	4	9365228	SEAT LINK, CAST, CHR
8	1	9402201	GUARD, SS-SEAT
9	1	9402503	HANDLE, SS-SEAT
10	4	9402801	RING, SS-SEAT
11	4	9448401	SHAFT, SS-SEAT, 15MM
12	1	7776501	SHAFT, .625 X .406 X 1.200
13	8	3275004	BEARING, FLANGE, METRIC 15MM
14	2	7407501	PIN, LINK
15	3	9541701	PIN, LINK, BLK
16	10	3232401	RING, RETAINING, EXTERNAL
17	2	7776401	SPACER, FLANGE .406 X .495 X .81
18	6	001700101-1587	RVT 201X0413X.354 T NY NO
19	8	001700042-1147	GROMMET: SCREW; 8 OR 10
20	8	3275801	SCREW, 8 X 3/4 DIN PHL PAN AB ST ZB
21	8	3276202	SCREW, M8 X1.25 X 25MM
22	4	3251202	SCREW, M10 X1.5 X 25MM UNS HEX CS ST ZN
23	1	3275508	SCREW, M10 X 1.5 X 55 SHCS, LOW HEAD -NO PATCH
24	8	3239502	WSH, .312 IN-D ST ZN
25	4	3236601	WASHER, 3/8 SAE SS
26	1	3236801	NUT, M10 HEX NYLOCK SS
27	1	3110010	ROLL PIN, 1/8 X 7/8
28	1	9485701	PAINT GUARD, PIN HOUSING
29	1	9480701	LABEL; SEAT POSITION, MEDIUM

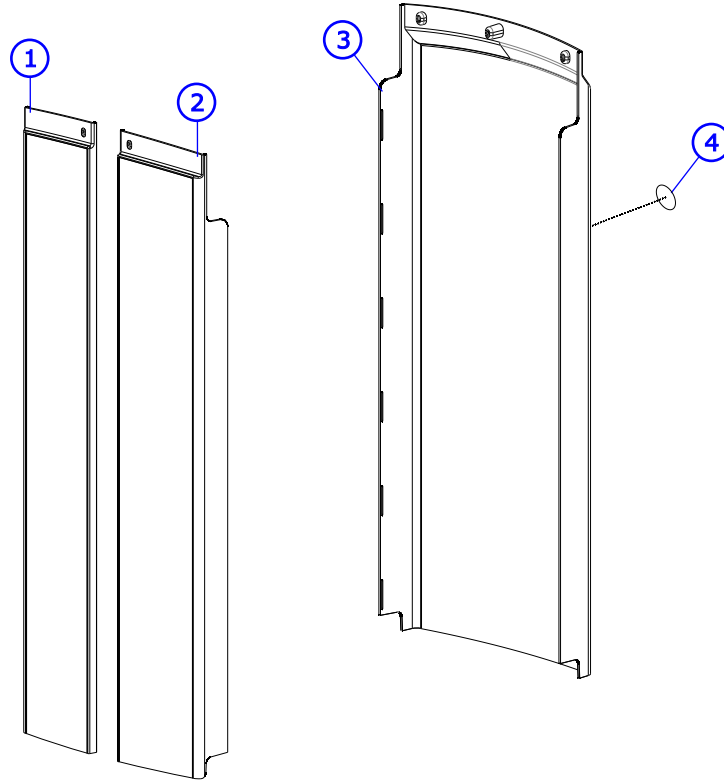


# Insignia Series Triceps Press Tower Plastics



ITEM NO.	QTY.	PART NO.	DESCRIPTION
1	1	9410801	COVER, TOWER BOTTOM - FRONT
2	1	9411001	COVER, TOWER BOTTOM - REAR
3	2	9412701	ASSY, TRAP TUBE, CAP, BOTTOM
4	2	9415701	COVER, UPPER CROSS MEMBER
5	2	9415801	GASKET, TRAP TUBE
6	13	3275801	SCREW, 8 X 3/4 DIN PHL PAN AB ST ZB
7	4	0017-00101-1587	RVT 201X0413X.354 T NY NO
8	11	0017-00042-1147	GROMMET: SCREW; 8 OR 10
9	1	9410601	SHROUD, TOWER FRONT, LT - SHORT
10	1	9410701	SHROUD, TOWER FRONT, RT - SHORT
11	1	9411101	SHROUD, TOWER REAR - SHORT
12	2	9414601	SHROUD EXTRUSION - SHORT
13	1	9489101	LABEL, LIFE FITNESS

# Insignia Series Triceps Press Shroud Wraps

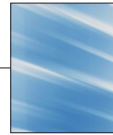


ITEM	QTY.	PART NO.	DESCRIPTION
1	1	9511802	SHROUD, SS, FNT, LT, SRT-BAM
2	1	9511702	SHROUD, SS, FNT, RT, SRT-BAM
3	1	9511902	SHROUD, SS, REAR, SRT-BAM
4	1	AK58-00245-2401	MEDALLION-ASSY; LF-BUG B



BAMBOO

ITEM	QTY.	PART NO.	DESCRIPTION
1	1	9511803	SHROUD, SS, FNT, LT, SRT-SKY
2	1	9511703	SHROUD, SS, FNT, RT, SRT-SKY
3	1	9511903	SHROUD, SS, REAR, SRT-SKY
4	1	AK58-00245-2401	MEDALLION-ASSY; LF-BUG B



SKY

ITEM	QTY.	PART NO.	DESCRIPTION
1	1	9511804	SHROUD, SS, FNT, LT, SRT-BRZ
2	1	9511704	SHROUD, SS, FNT, RT, SRT-BRZ
3	1	9511904	SHROUD, SS, REAR, SRT-BRZ
4	1	AK58-00245-2401	MEDALLION-ASSY; LF-BUG B



BRONZE

ITEM	QTY.	PART NO.	DESCRIPTION
1	1	9511805	SHROUD, SS, FNT, LT, SRT-STM
2	1	9511705	SHROUD, SS, FNT, RT, SRT-STM
3	1	9511905	SHROUD, SS, REAR, SRT-STM
4	1	AK58-00245-2401	MEDALLION-ASSY; LF-BUG B



STEM

ITEM	QTY.	PART NO.	DESCRIPTION
1	1	9511806	SHROUD, SS, FNT, LT, SRT-RSW
2	1	9511706	SHROUD, SS, FNT, RT, SRT-RSW
3	1	9511906	SHROUD, SS, REAR, SRT-RSW
4	1	AK58-00245-2401	MEDALLION-ASSY; LF-BUG B



ROSEWOOD

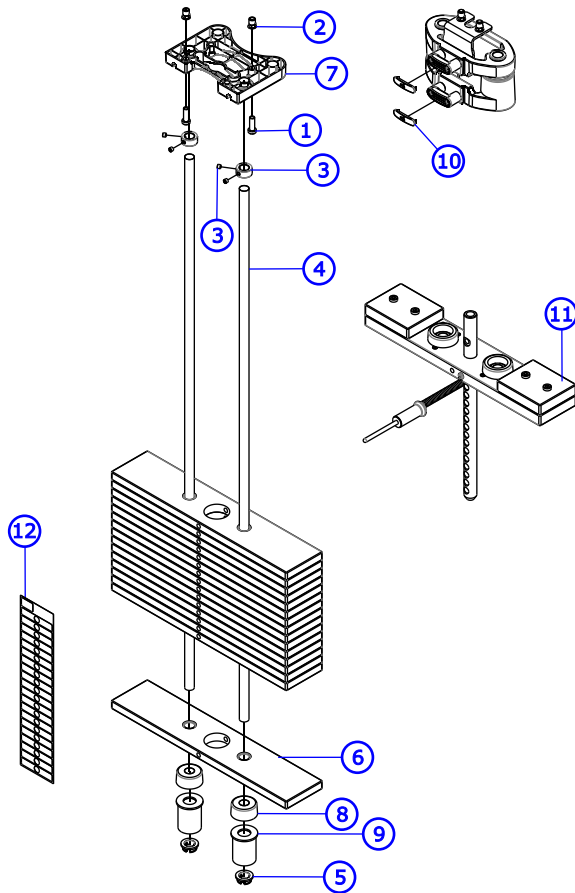
ITEM	QTY.	PART NO.	DESCRIPTION
1	1	9511807	SHROUD, SS, FNT, LT, SRT-SS
2	1	9511707	SHROUD, SS, FNT, RT, SRT-SS
3	1	9511907	SHROUD, SS, REAR, SRT-SS
4	1	AK58-00245-2401	MEDALLION-ASSY; LF-BUG B



STAINLESS STEEL

# Insignia Series Triceps Press Weight Stack Assemblies

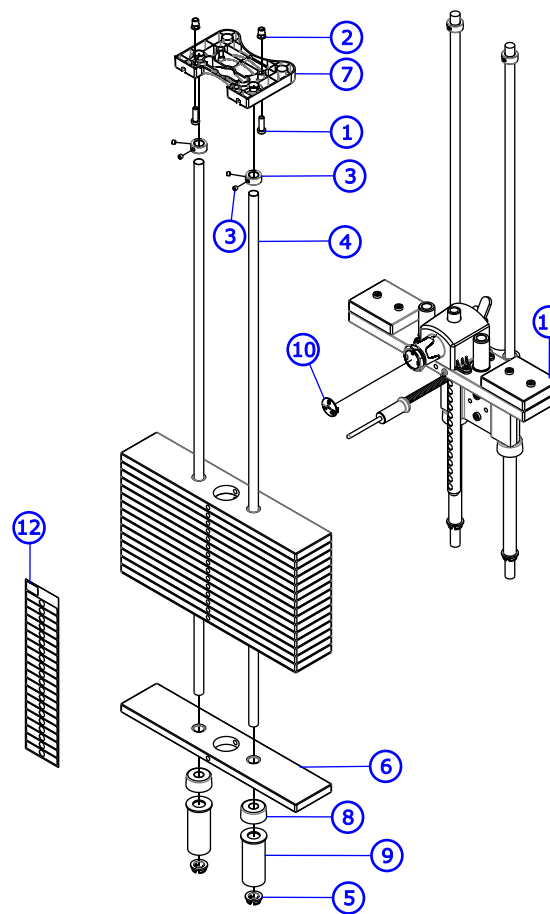
## T - Base



Uses Cable 9423509 (192.25")

ITEM NO.	QTY.	PART NO.	DESCRIPTION
1	2	9236203	SCREW, M10 X1.5 30MM
2	2	9238601	M10X1.5 BLIND THREADED INSERT (HEX)
3	2	9103301	SHAFT COLLAR, 3/4 I.D. ZINC
4	2	9286612	GUIDE ROD, .75 OD SOLID 50.36
5	2	9337901	BUSHING, GUIDE ROD
6	16	9407601	WGT PL, 3/4IN X 4IN, 15 LB
7	1	9412801	RETAINER, GUIDE ROD - TOP
8	2	9352101	CUSHION, WEIGHT STACK
9	2	9495913	WLDMT, WGT STK SPACER X 3.00 -CHR
10	1	9462303	CAP, DD INC WGT, YEL -LBS
		9462403	CAP, DD INC WGT, YEL -KG
11	1	SEE PAGE 11	ASSY, SS-SLC/TP, HEAD PLATE, STD -16
12	1	9475301	LABEL, 3/4 IN WGT STACK, 295 LB
		9475201	LABEL, 3/4 IN WGT STACK, 147.5 KG

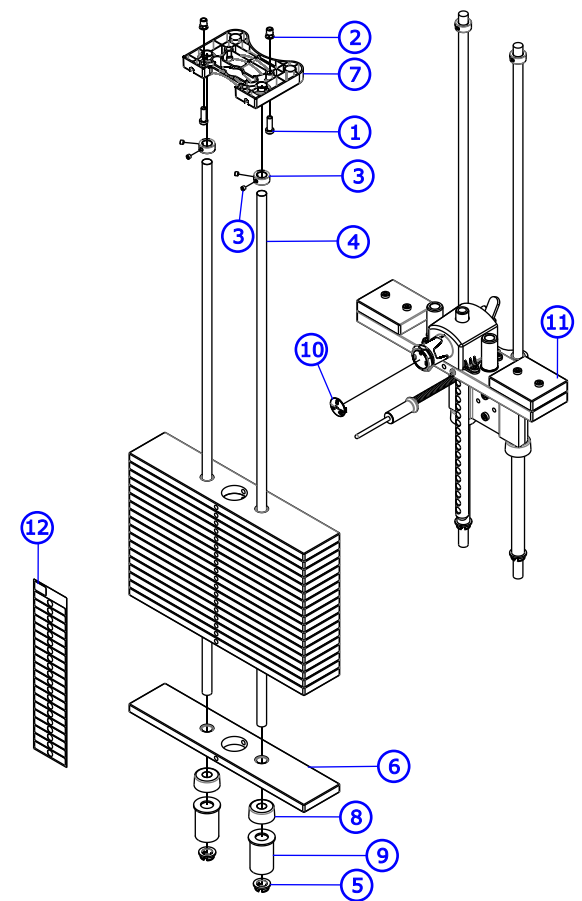
## C - Light



Uses Cable 9423510 (190.0")

ITEM NO.	QTY.	PART NO.	DESCRIPTION
1	2	9236203	SCREW, M10 X1.5 30MM
2	2	9238601	M10X1.5 BLIND THREADED INSERT (HEX)
3	2	9103301	SHAFT COLLAR, 3/4 I.D. ZINC
4	2	9286612	GUIDE ROD, .75 OD SOLID 50.36
5	2	9337901	BUSHING, GUIDE ROD
6	16	9407601	WGT PL, 3/4IN X 4IN, 15 LB
7	1	9412801	RETAINER, GUIDE ROD - TOP
8	2	9352101	CUSHION, WEIGHT STACK
9	2	9495915	WLDMT, WGT STK SPACER X 5.25 -CHR
10	1	9431403	CAP, SELECTOR KNOB -LBS
		9450103	CAP, SELECTOR KNOB -KGS
11	1	SEE PAGE 12	ASSY, SS, INC WGT, DIAL, STD -16
12	1	9475301	LABEL, 3/4 IN WGT STACK, 295 LB
		9475201	LABEL, 3/4 IN WGT STACK, 147.5 KG

## X - Heavy



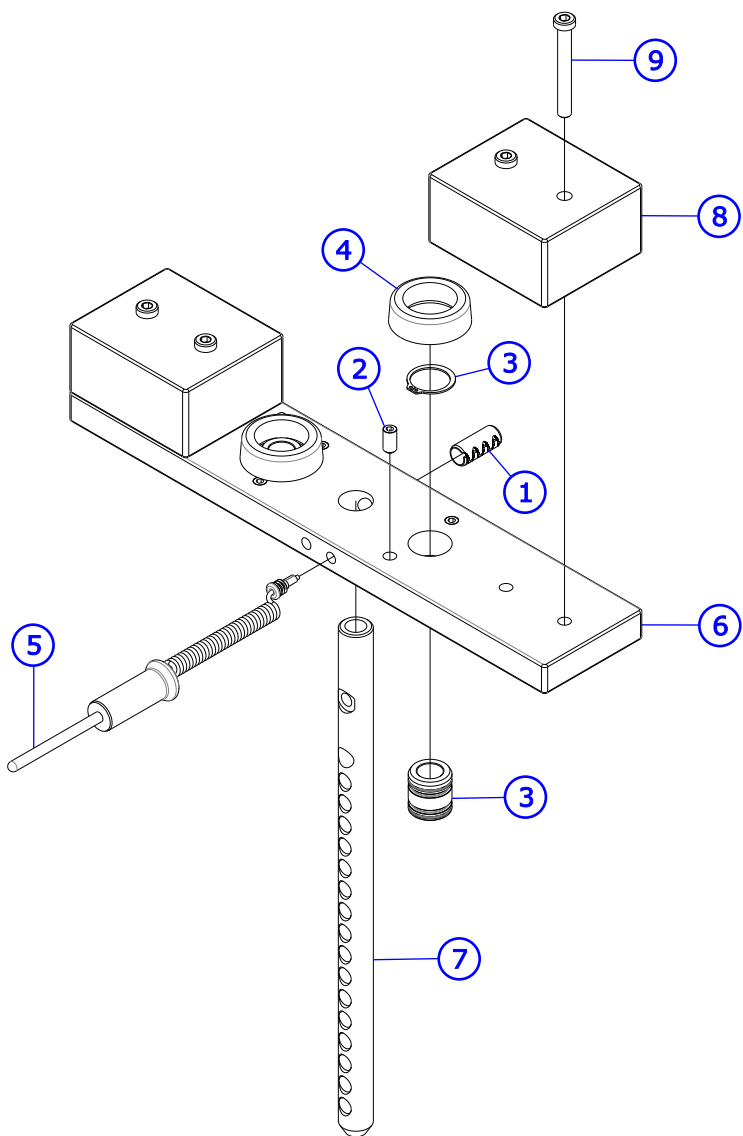
Uses Cable 9423510 (190.0")

ITEM NO.	QTY.	PART NO.	DESCRIPTION
1	2	9236203	SCREW, M10 X1.5 30MM
2	2	9238601	M10X1.5 BLIND THREADED INSERT (HEX)
3	2	9103301	SHAFT COLLAR, 3/4 I.D. ZINC
4	2	9286612	GUIDE ROD, .75 OD SOLID 50.36
5	2	9337901	BUSHING, GUIDE ROD
6	19	9407601	WGT PL, 3/4IN X 4IN, 15 LB
7	1	9412801	RETAINER, GUIDE ROD - TOP
8	2	9352101	CUSHION, WEIGHT STACK
9	2	9495913	WLDMT, WGT STK SPACER X 3.00 -CHR
10	1	9431403	CAP, SELECTOR KNOB -LBS
		9450103	CAP, SELECTOR KNOB -KGS
11	1	SEE PAGE 12	ASSY, SS, INC WGT, DIAL, HVY -19
12	1	9475301	LABEL, 3/4 IN WGT STACK, 295 LB
		9475201	LABEL, 3/4 IN WGT STACK, 147.5 KG

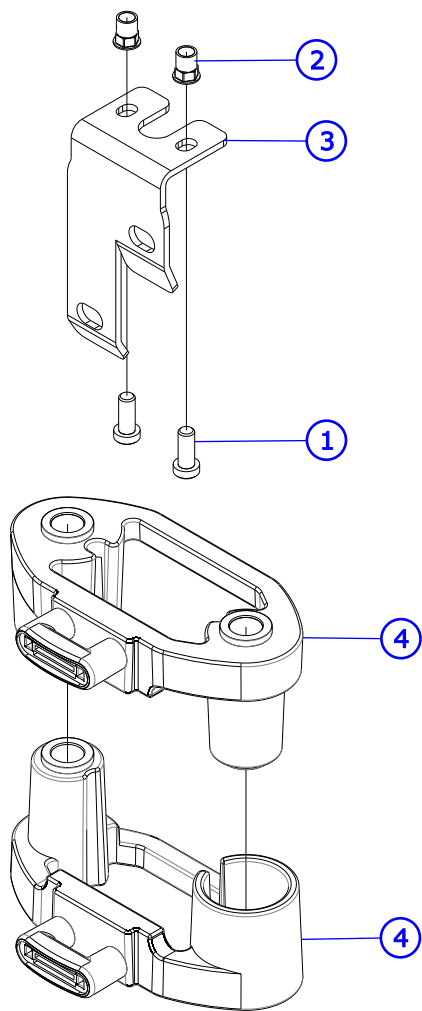
# Insignia Series Triceps Press

## T Trim Head Plate and Drop Down Increment Weights

### T Trim



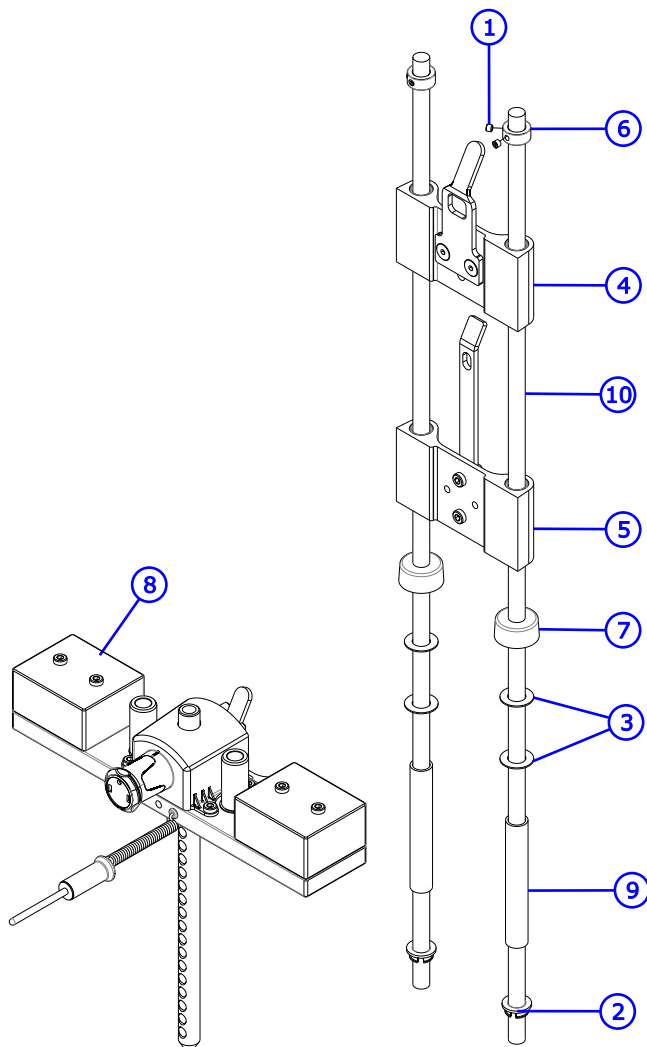
ITEM NO.	QTY.	PART NO.	DESCRIPTION
1	1	3236001	BUSHING, SPRING PIN
2	4	3240501	M10 X 1.5 HXS NO CUP ST BO
3	2	7338001	BUSHING, HEADPLATE
4	2	7767602	BUMPER, INCREMENT WT -BLK
5	1	9427003	ASSY, WGT STK SELECTOR PIN -YELLOW
6	1	9431101	HEADPLATE, WT. STACK, 20LB
7	1	9434202	BAYONET, 16 PLATE
8	2	9433301	COUNTER WEIGHT, HEAD PLATE, 5LB
9	4	3236207	M10 X 1.5 X 50 SHCS, LOW HEAD



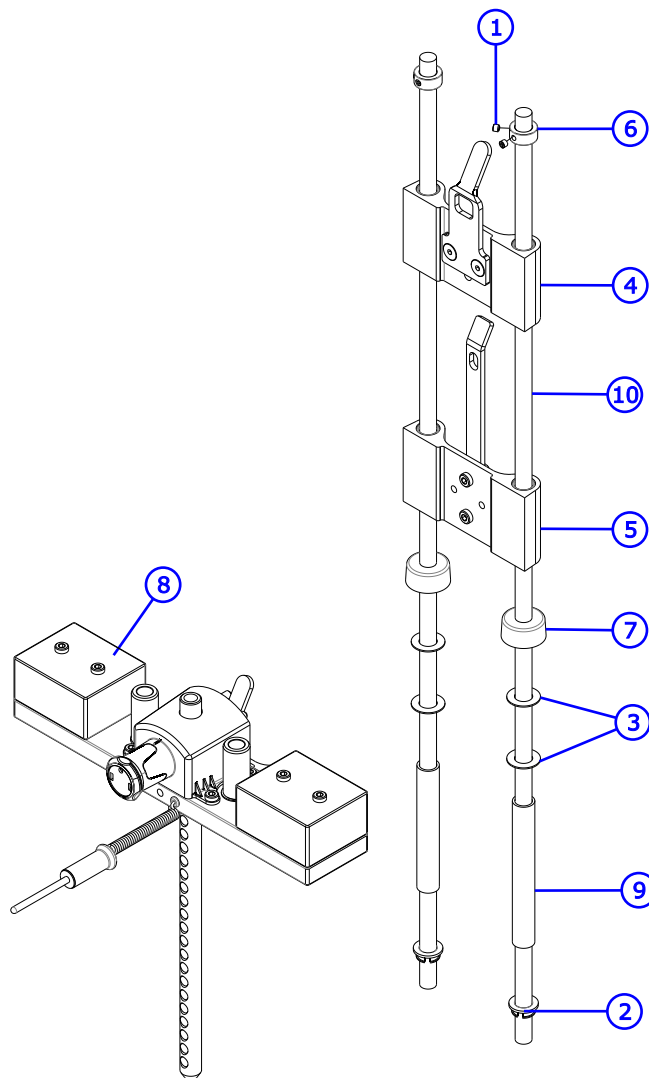
ITEM NO.	QTY.	PART NO.	DESCRIPTION
1	2	3236202	SCREW, M10 X1.5 25MM
2	2	3238601	M10X1.5 BLIND THREADED INSERT (HEX)
3	1	9430801	BRKT, INC WGT STRIKER
4	2	9455403	ASSY, DD INC WGT -YEL

# Insignia Series Triceps Press C and X Trim Stack Components

## C Trim



## X Trim



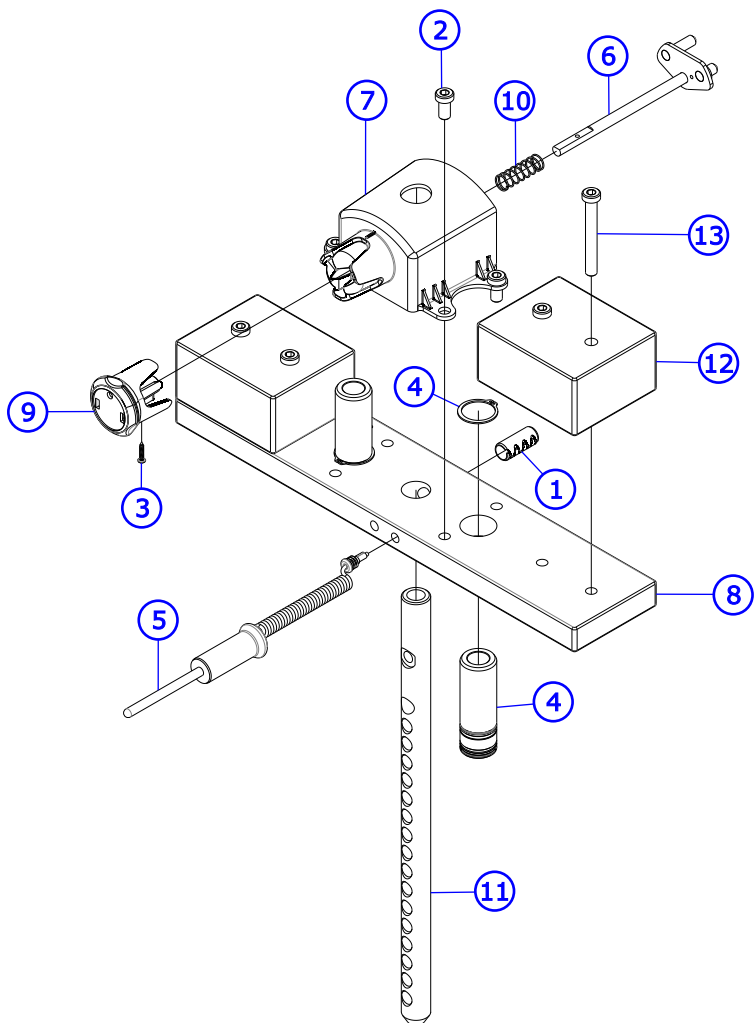
ITEM NO.	QTY.	PART NO.	DESCRIPTION
1	4	8242901	SCREW, SET BO
2	2	7337901	BUSHING, GUIDE ROD
3	4	7351001	SPACER, INC WT STACK
4	1	SEE PAGE 14	ASSY, INC WGT -5LB
5	1	SEE PAGE 14	ASSY, INC WGT -10LB
6	2	9462901	SHAFT COLLAR, 3/4 IN ID
7	2	7352101	CUSHION, WEIGHT STACK
8	1	SEE PAGE 13	ASSY, WTD HEAD PLATE, DIAL, STD -16
9	2	7328707	SPACER, INC WT STACK -9.63
10	2	7328612	GUIDE ROD, .75 OD SOLID X 50.36

ITEM NO.	QTY.	PART NO.	DESCRIPTION
1	4	8242901	SCREW, SET BO
2	2	7337901	BUSHING, GUIDE ROD
3	4	7351001	SPACER, INC WT STACK
4	1	SEE PAGE 14	ASSY, INC WGT -5LB
5	1	SEE PAGE 14	ASSY, INC WGT -10LB
6	2	9462901	SHAFT COLLAR, 3/4 IN ID
7	2	7352101	CUSHION, WEIGHT STACK
8	1	SEE PAGE 13	ASSY, WTD HEAD PLATE, DIAL, HVY -19
9	2	7328707	SPACER, INC WT STACK -9.63
10	2	7328612	GUIDE ROD, .75 OD SOLID X 50.36

# Insignia Series Triceps Press

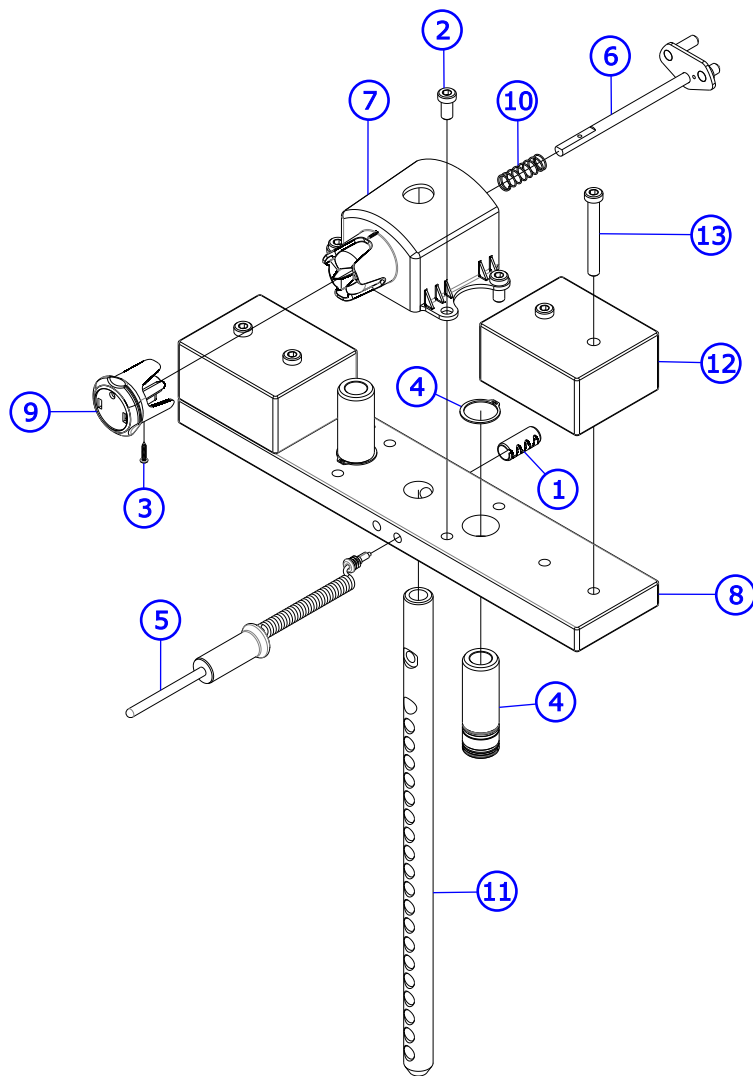
## C and X Trim Head Plate Assemblies

### C Trim



ITEM NO.	QTY.	PART NO.	DESCRIPTION
1	1	9236001	BUSHING, SPRING PIN
2	4	9236201	SCREW, M10 X1.5 20MM
3	1	9275601	SCREW, 6 X 3/4 DIN PHL PAN AB ST ZB
4	2	9296001	BUSHING, HEADPLATE, LONG
5	1	9427003	ASSY, WGT STK SELECTOR PIN -YELLOW
6	1	9427501	WLDMT, INC WGT PIN
7	1	9430501	HSNG, INC WEIGHT
8	1	9431101	HEADPLATE, WT. STACK, 20LB
9	1	9443201	KNOB, INC WEIGHT
10	1	9443301	SPRING, INC WGT PIN
11	1	9434202	BAYONET, 16 PLATE
12	2	9433302	COUNTER WEIGHT, HEAD PLATE, 12.5LB
13	4	9236213	M10 X 1.5 X 80 SHCS, LOW HEAD

### X Trim

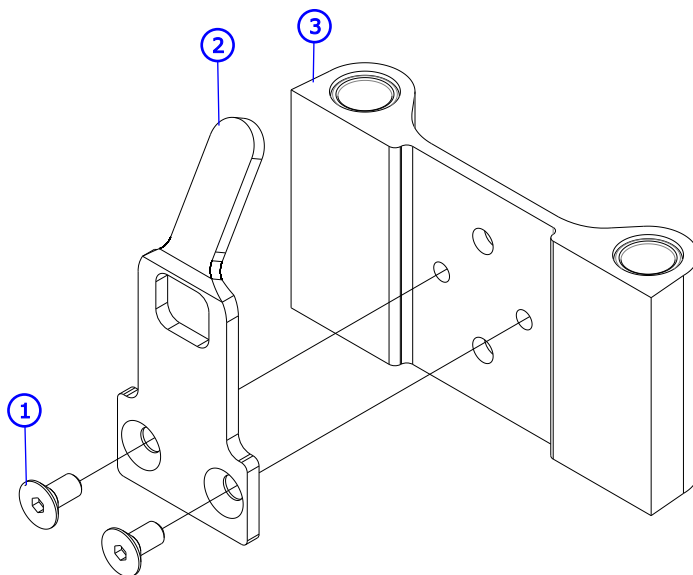


ITEM NO.	QTY.	PART NO.	DESCRIPTION
1	1	9236001	BUSHING, SPRING PIN
2	4	9236201	SCREW, M10 X1.5 20MM
3	1	9275601	SCREW, 6 X 3/4 DIN PHL PAN AB ST ZB
4	2	9296001	BUSHING, HEADPLATE, LONG
5	1	9427003	ASSY, WGT STK SELECTOR PIN -YELLOW
6	1	9427501	WLDMT, INC WGT PIN
7	1	9430501	HSNG, INC WEIGHT
8	1	9431101	HEADPLATE, WT. STACK, 20LB
9	1	9443201	KNOB, INC WEIGHT
10	1	9443301	SPRING, INC WGT PIN
11	1	9426002	BAYONET, 19 PLATE
12	2	9433302	COUNTER WEIGHT, HEAD PLATE, 12.5LB
13	4	9236213	M10 X 1.5 X 80 SHCS, LOW HEAD

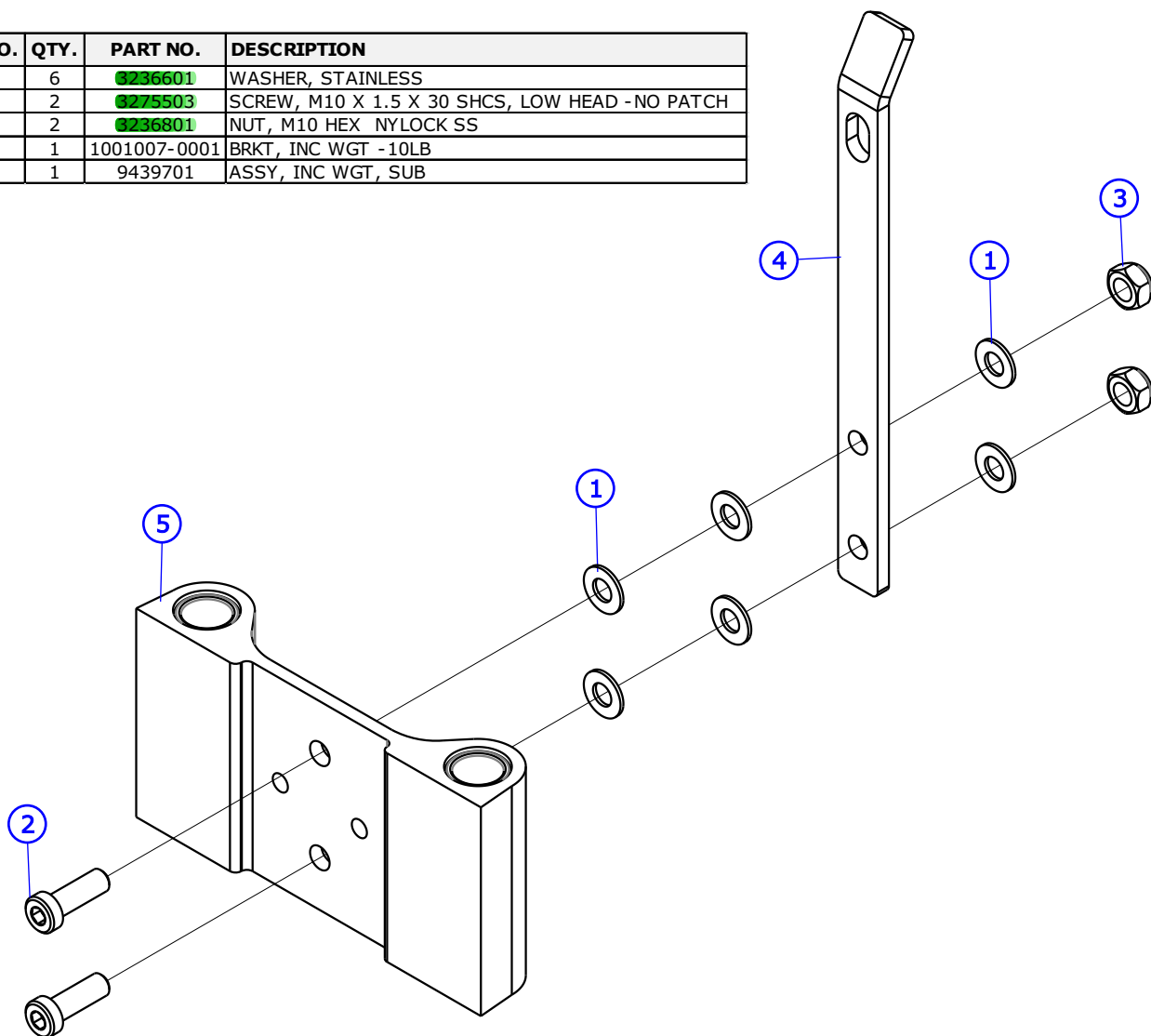
# Insignia Series Triceps Press

## C and X Trim Incremental Weights

ITEM NO.	QTY.	PART NO.	DESCRIPTION
1	2	3238301	M10x1.5x20mm
2	1	9428201	BRKT, INC WGT -5 LB
3	1	9439701	ASSY, INC WGT, SUB

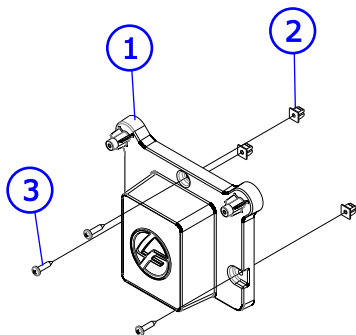


ITEM NO.	QTY.	PART NO.	DESCRIPTION
1	6	3236601	WASHER, STAINLESS
2	2	3275503	SCREW, M10 X 1.5 X 30 SHCS, LOW HEAD -NO PATCH
3	2	3236801	NUT, M10 HEX NYLOCK SS
4	1	1001007-0001	BRKT, INC WGT -10LB
5	1	9439701	ASSY, INC WGT, SUB



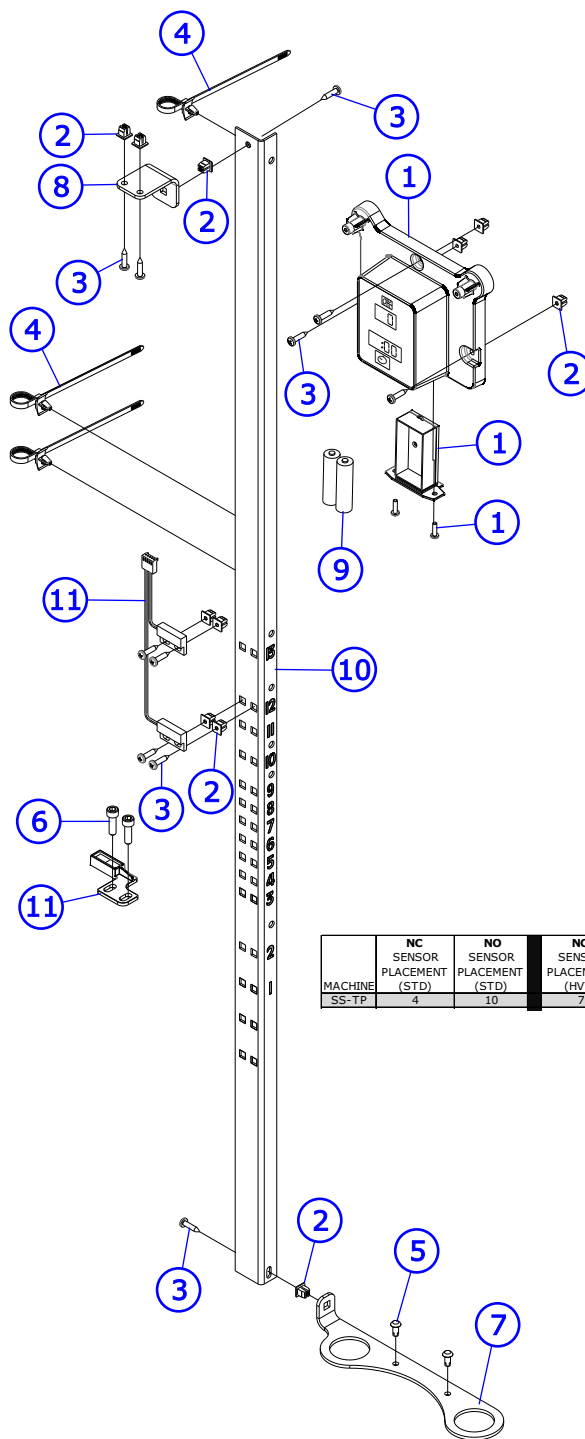
# Insignia Series Triceps Press Sensor Assemblies

## S Trim



ITEM NO.	QTY.	PART NO.	DESCRIPTION
1	1	9437401	SS - ASSY, DISPLAY, BASE
2	3	9434828	GROMMET: SCREW; 8 OR 10
3	3	3275801	SCREW, 8 X 3/4 DIN PHL PAN AB ST ZB

## L Trim



MACHINE	NC SENSOR PLACEMENT (STD)	NO SENSOR PLACEMENT (STD)	NC SENSOR PLACEMENT (HVY)	NO SENSOR PLACEMENT (HVY)
SS-TP	4	10	7	12

ITEM NO.	QTY.	PART NO.	DESCRIPTION
1	1	9417701	ASSY, DISPLAY, COUNTER
2	11	9434828	GROMMET: SCREW; 8 OR 10
3	11	3275801	SCREW, 8 X 3/4 DIN PHL PAN AB ST ZB
4	3	3276101	GROMMET, CABLE TIE
5	2	901700101-1587	RVT 201X0413X.354 T NY NO
6	2	3241701	SCREW, M6 X1 20MM
7	1	9432728	BRKT, SS, SWITCH MNT -CHGR
8	1	9434828	BRKT, SS, SWITCH MNT
9	2	-	BATTERY, AA
10	1	9434628	BRKT, SS, SWITCH MNT, STD -CHR
11	1	900585-0001	ASSY, SS, PROX SWITCH/MAGNET